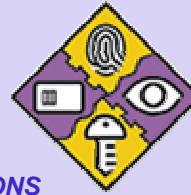


# SecureTec™ SDK v4.5



DATASHEET

INTEGRATE ADVANCED AUTHENTICATION INTO YOUR PRODUCTS AND APPLICATIONS

## BENEFITS

- ◆ Replace passwords with strong authentication technologies including smart cards, security tokens, fingerprint and iris scanners, and other BAPI-compliant biometric authentication technologies
- ◆ Integrate all supported authentication technologies with a single API
- ◆ Only integrate a handful of simple API calls into your application and allow SecureTec AP to handle device compatibility, drivers, 3<sup>rd</sup> party SDKs, changing technologies, etc.
- ◆ Use in conjunction with SecureSuite XS Server to fully integrate authentication devices into Active Directory

## ADVANCED AUTHENTICATION SUPPORT

- ◆ Biometrics
  - ◆ Fingerprint
  - ◆ Iris
- ◆ Token/Smart Card \*
  - ◆ Axalto Cryptoflex and Cyberflex smart cards
  - ◆ Sony FeliCa contactless IC cards
  - ◆ SafeNet iKey 1032
- ◆ Match-on-Card (MoC) \*
  - ◆ Precise 100 and Axalto Cyberflex smart cards
- ◆ Passwords
- ◆ Single or Multi-factor authentication ("AND" / "OR" combinations)
- ◆ Supports prioritization and selection of a "default" authentication device \*
- ◆ Fingerprint templates and other biometric data can be stored on smart cards for additional security and privacy \*

\* Supported only in conjunction with Active Directory

## SUPPORTED OPERATING SYSTEMS

- ◆ Windows 2000 Professional
- ◆ Windows XP Professional
- ◆ Windows XP Home Edition
- ◆ Windows 2000 Server
- ◆ Windows 2000 Advanced Server
- ◆ Windows Server 2003

## INCLUDED COMPONENTS

- ◆ SecureTec AP software with one workstation license
- ◆ SecureSuite XS Workstation software with one workstation license
- ◆ Header files for DLL interface
- ◆ ActiveX control for COM interface
- ◆ C++ sample application
- ◆ Visual Basic 6.0 sample application
- ◆ Documentation

## APPLICATIONS

- ◆ Healthcare
- ◆ Banking/financial institutions
- ◆ Government — secure system access
- ◆ ID development
- ◆ Enterprise systems
- ◆ Workflow management

## SECURETEC SDK PACKAGES

### SecureTec SDK Gold — \$500

- ◆ Dynamic Link Libraries (DLL), API libraries and header files
- ◆ Configuration files
- ◆ Utilities
- ◆ Demo applications
- ◆ Sample code
- ◆ API documentation
- ◆ Two free e-mail based support issues

### SecureTec SDK Platinum — \$2500

- ◆ Dynamic Link Libraries (DLL), API libraries and header files
- ◆ Configuration files
- ◆ Utilities
- ◆ Demo applications
- ◆ Sample code
- ◆ API documentation
- ◆ Eight free e-mail based or phone based support issues
- ◆ Two BAPI/SecureTec SDK compliant devices: a USB token device and a USB fingerprint scanner

## SALES CONTACT

I/O Software, Inc. ◆ 3403 Tenth Street, Suite 200 ◆ Riverside, CA 92501

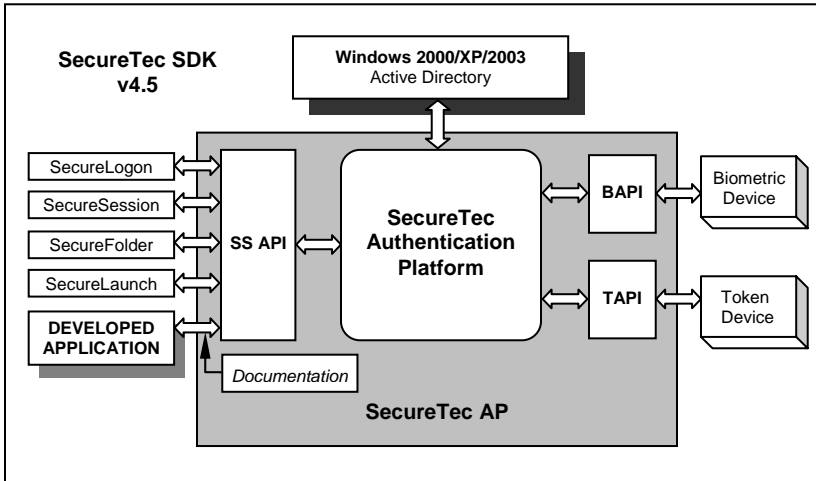
www.iosoftware.com ◆ Phone: 951.222.7600 ◆ Fax: 951.222.7601

General Sales: [sales@iosoftware.com](mailto:sales@iosoftware.com) ◆ OEM: [oem-sales@iosoftware.com](mailto:oem-sales@iosoftware.com)

# ACTIVE DIRECTORY SUPPORT

## GENERAL INFORMATION

- ◆ Fully Active Directory integrated
- ◆ Supports multiple AD domain servers & sites
- ◆ Automatic database replication with failover/fault-tolerance
- ◆ License management facility — tracks licenses for servers and users
- ◆ Supports legacy (password only) and SecureSuite-enabled clients
- ◆ User administration via standard AD user manager (MMC snap-in)



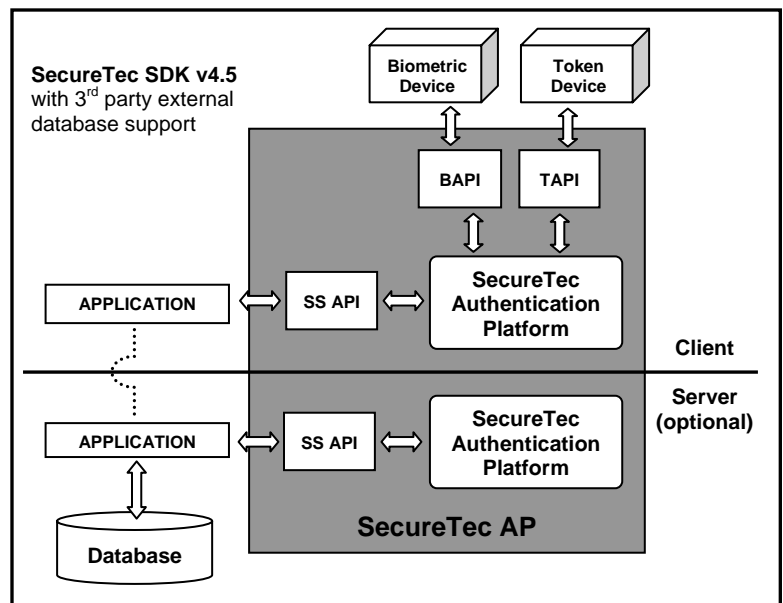
## SERVER FEATURES

- ◆ User data is securely encrypted and protected by the AD security model for two layers of private security
- ◆ Flexible, customizable, secure user authentication
- ◆ Ability to store data in SecureSuite database and/or on token devices
- ◆ Simple uniform interface for biometric device functionality
- ◆ Secure application execution contexts and data — application cannot corrupt or “steal” other applications’ data or affect their execution
- ◆ Automatic device polling services
- ◆ BAPI compliant — future development path
- ◆ User-based security context switching. Applications can operate under authenticated user contexts

# EXTERNAL DATABASE SUPPORT

## SECURETEC AP SERVER FEATURES

- ◆ Flexible, customizable, secure user authentication
- ◆ Uniform interface for biometric device functionality
- ◆ Secure application execution contexts and data — application cannot corrupt or “steal” other applications’ data or affect their execution
- ◆ Automatic device polling services
- ◆ BAPI compliant — future development path
- ◆ User-based security context switching. Applications can operate under authenticated user contexts



## TECHNICAL SUPPORT

I/O Software will provide full technical support within the limits of the package purchased.

Please note that we can only support programmers with advanced programming skills.

Search our website: [www.iosoftware.com/support](http://www.iosoftware.com/support) ◆ e-mail: [support@iosoftware.com](mailto:support@iosoftware.com)